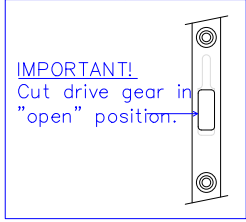
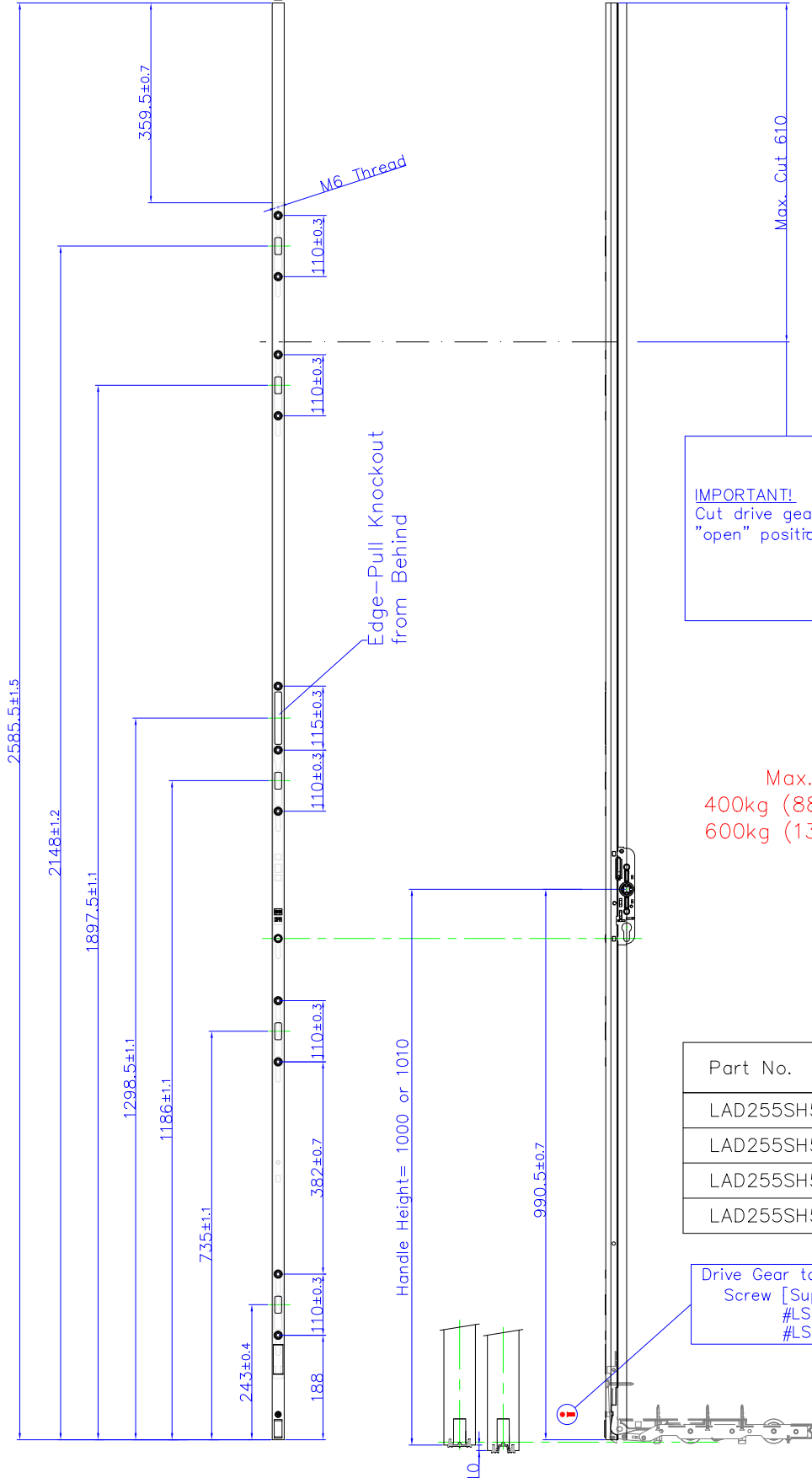
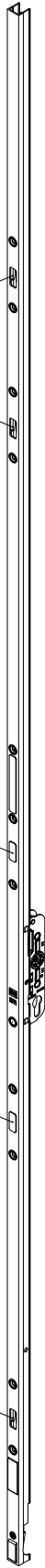


Lock-point 4 (Required)
Two Options Depending on
Panel Height. Remove Cover

Lock-point 3 (Optional)
Knockout from Behind

Lock-point 2 (Optional)
Knockout from Behind

Lock-point 1 (Required)
Remove Cover



Max. Lifting Weight =
400kg (880lb) @ 100,000 cycles
600kg (1320lb) @ 15,000 cycles

SCHEDULE

Part No.	Version	Color
LAD255SH50	304 SSSL	BLACK
LAD255SH51	304 SSSL	SILVER
LAD255SH54	430 SSSL	BLACK
LAD255SH55	430 SSSL	SILVER

Drive Gear to Front Roller Connecting
Screw [Supplied with Drive Gear]
#LSBOLT0030 Silver
#LSBOLT0040 Black

ALL DIMENSIONS IN MILLIMETERS UNLESS OTHERWISE SPECIFIED.

FFI PRODUCT DRAWING
CONFIDENTIAL AND PROPRIETARY INFORMATION OF FUNCTIONAL FENESTRATION, INC.
WHICH MAY BE USED ONLY FOR ITS BENEFIT
AND WHICH MAY NOT BE REPRODUCED OR DISCLOSED TO OTHERS.
THIS DOCUMENT AND ALL COPIES MUST BE RETURNED ON DEMAND.
©COPYRIGHT FUNCTIONAL FENESTRATION, INC.

FUNCTIONAL FENESTRATION INC.

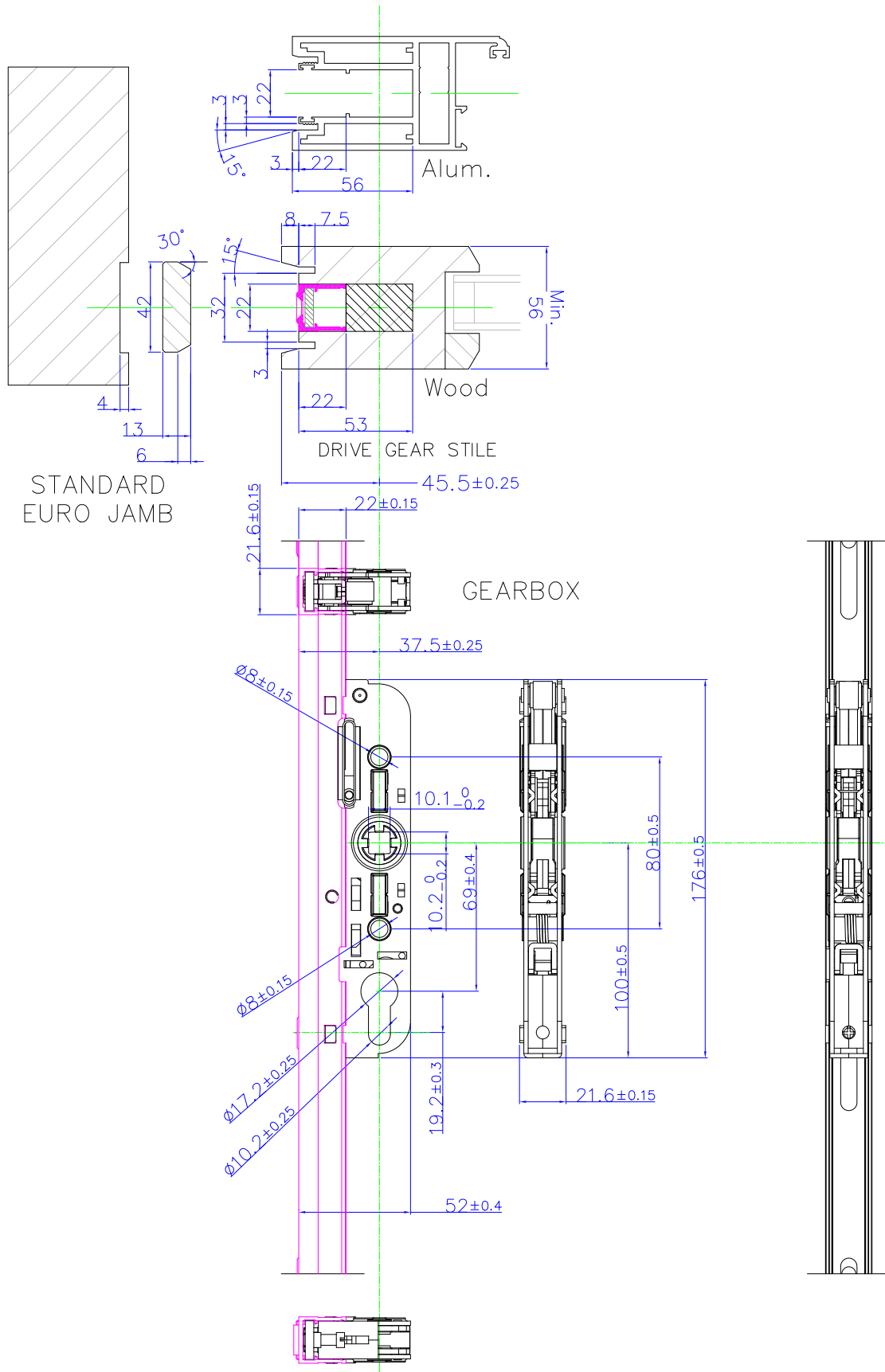
12833 SIMMS AVE.
HAWTHORNE, CA 90250

SHEET SIZE: 8.5" x 11"

drwn by: JDG	scale: NONE
chkd by: -	mtl.: -
date: 07SEP22	fnsh: -
rev.:	sheet no.:
■	1 OF 3

DWG TITLE: LAD255SH DOOR GEAR 37.5mm BS	DWG NUMBER: LAD255SH50_51_54_55
USED ON: FFI LIFT SLIDE SYSTEMS	PART/REF. NUMBER: SEE SCHEDULE

THIS DOCUMENT AND ALL INFORMATION THEREIN IS CONFIDENTIAL AND IT IS THE SOLE PROPERTY OF FUNCTIONAL FENESTRATION, INC. AND SHALL NOT BE REPRODUCED OR DISCLOSED IN ANY FORM OR TO ANY THIRD PARTY WITHOUT PRIOR APPROVAL FROM FUNCTIONAL FENESTRATION, INC. DISCLAIMER: THESE TECHNICAL DRAWINGS ARE PROVIDED SOLELY FOR INFORMATION PURPOSES. FUNCTIONAL FENESTRATION, INC. DOES NOT WARRANT THAT THESE DRAWINGS SATISFY FEDERAL, STATE OR LOCAL LAWS, REGULATIONS OR ORDINANCES WHICH MAY APPLY IN THE JURISDICTION IN WHICH THE PRODUCT SUPPLIED IS USED. CUSTOMER ACCEPTS FULL RESPONSIBILITY FOR COMPLIANCE WITH ALL LEGAL AND REGULATORY REQUIREMENTS PERTAINING TO THE INSTALLATION AND USE OF WINDOW/DOOR/SLYDGLT HARDWARE.



ALL DIMENSIONS IN MILLIMETERS UNLESS OTHERWISE SPECIFIED.

FFI PRODUCT DRAWING
 CONFIDENTIAL AND PROPRIETARY INFORMATION OF FUNCTIONAL FENESTRATION, INC.
 WHICH MAY BE USED ONLY FOR ITS BENEFIT
 AND WHICH MAY NOT BE REPRODUCED OR DISCLOSED TO OTHERS.
 THIS DOCUMENT AND ALL COPIES MUST BE RETURNED ON DEMAND.
 ©COPYRIGHT FUNCTIONAL FENESTRATION, INC.



12833 SIMMS AVE.
 HAWTHORNE, CA 90250

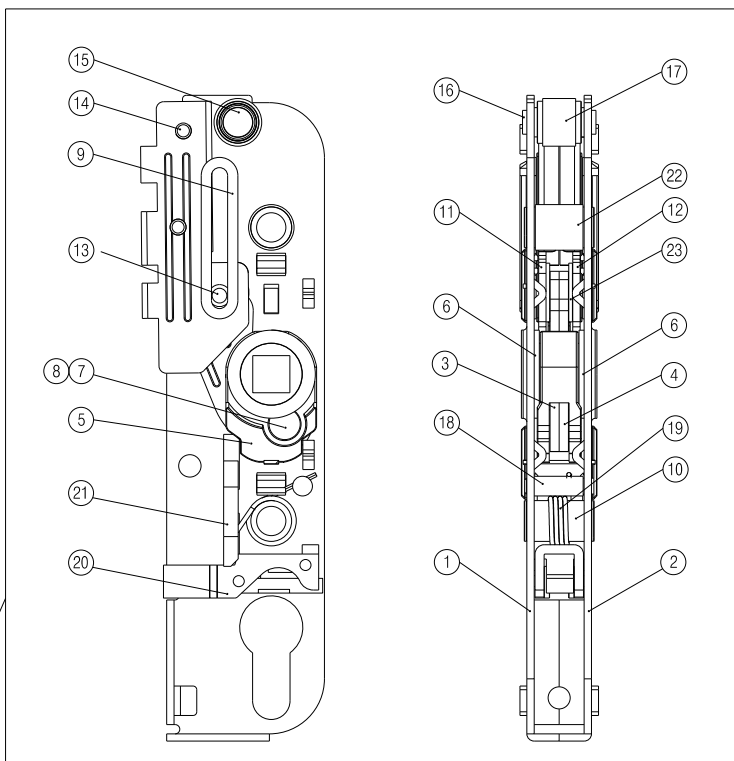
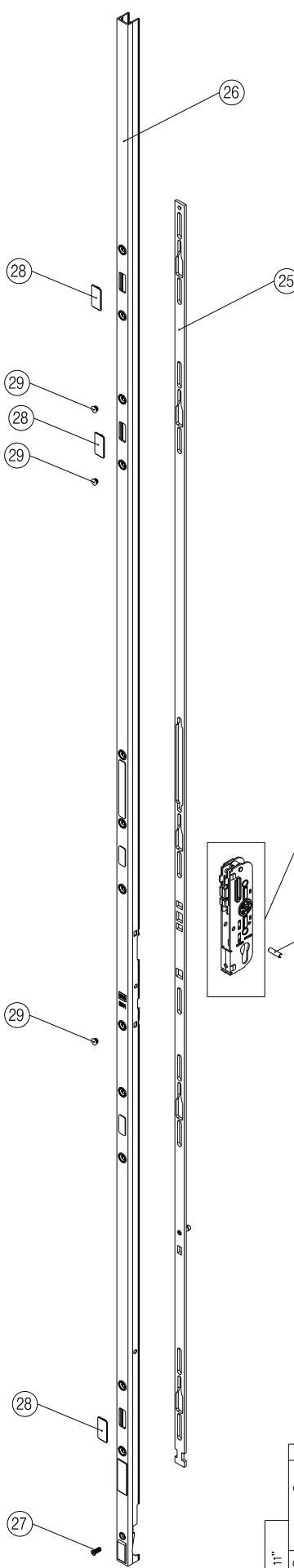
SHEET SIZE: 8.5" x 11"

drwn by: JDG	scale: NONE
chkd by: -	mtl.: -
date: 07SEP22	fnsh: -
rev: ■ 2 OF 3	sheet no.: 2 OF 3

DWG TITLE: LAD255SH GEARBOX 37.5mm BS
 USED ON: LAD255SH50_51_54_55 GEAR

DWG NUMBER: LAD255SH50_51_54_55
 PART/REF. NUMBER: -

THIS DOCUMENT AND ALL INFORMATION THEREIN IS CONFIDENTIAL AND IT IS THE SOLE PROPERTY OF FUNCTIONAL FENESTRATION, INC. AND SHALL NOT BE REPRODUCED OR DISCLOSED IN ANY SHAPE OR FORM TO THIRD PARTIES WITHOUT PRIOR APPROVAL FROM FUNCTIONAL FENESTRATION, INC. DISCLAIMER: THESE TECHNICAL DRAWINGS ARE PROVIDED SOLELY FOR INFORMATION PURPOSES. FUNCTIONAL FENESTRATION, INC. DOES NOT WARRANT THAT THESE DRAWINGS SATISFY FEDERAL, STATE OR LOCAL LAWS, REGULATIONS OR ORDINANCES WHICH MAY APPLY IN THE JURISDICTION IN WHICH THE PRODUCT SUPPLIED IS USED. CUSTOMER ACCEPTS FULL RESPONSIBILITY FOR COMPLIANCE WITH ALL LEGAL AND REGULATORY REQUIREMENTS PERTAINING TO THE INSTALLATION AND USE OF WINDOW/DOOR/SYLIGHT HARDWARE.



No.	Description	Material 430 version	Material 304 version	Qty.	Color/Coating
1	GEARBOX HOUSING L	STS430	STS304	1	
2	GEARBOX HOUSING R	STS430	STS304	1	
3	CRANK L	STS430	STS304	1	
4	CRANK R	STS430	STS304	1	
5	SPINDLE JOINT	STS304	STS304	1	
6	SPINDLE BUSHING	NYLON66	NYLON66	2	
7	SPINDLE RIVET	STS303	STS303	1	
8	CRANK BUSHING	STS304	STS304	1	
9	SHAFT GUIDE	NYLON66	NYLON66	2	
10	EYELET RIVET	STS303	STS303	2	
11	LIFTER L	STS430	STS304	1	
12	LIFTER R	STS430	STS304	1	
13	CRANK SHAFT	STS303	STS303	1	
14	JOINT SHAFT	STS303	STS303	1	
15	CONTROL BUSHING	NYLON66	NYLON66	1	
16	CONTROL SHAFT	STS303	STS303	1	
17	BEARING BUSHING	STS303	STS303	1	
18	LOCK SHAFT	STS303F	STS303F	1	
19	LOCK SPRING	STS304	STS304	1	
20	KEEPER-2	STS304	STS304	1	
21	KEEPER-1	STS304	STS304	1	
22	LIFTER GUIDE BUSHING	STS303	STS303	1	
23	LIFTER SHAFT BUSHING	ACETAL	ACETAL	2	
24	ROLL PIN	STS304	STS304	1	
25	DRIVE BAR	STS430	STS304	1	
26	HOUSING	6063 T5 AL	6063 T5 AL	1	BLACK/SILVER E-COAT PRIMER/KYNAR TOPCOAT
27	ROLLER FIXING SCREW	STS304	STS304	1	BLACK/PLAIN
28	LOCKBOLT SLOT PLUG	NYLON66	NYLON66	3	BLACK/GREY
29	CYLINDER/SCREW PLUG	NYLON66	NYLON66	3	BLACK/GREY

ALL DIMENSIONS IN MILLIMETERS UNLESS OTHERWISE SPECIFIED.

FFI PRODUCT DRAWING
 CONFIDENTIAL AND PROPRIETARY INFORMATION OF FUNCTIONAL FENESTRATION, INC.
 WHICH MAY BE USED ONLY FOR ITS BENEFIT
 AND WHICH MAY NOT BE REPRODUCED OR DISCLOSED TO OTHERS.
 THIS DOCUMENT AND ALL COPIES MUST BE RETURNED ON DEMAND.
 ©COPYRIGHT FUNCTIONAL FENESTRATION, INC.



12833 SIMMS AVE.
 HAWTHORNE, CA 90250

drwn by: JDG	scale: NONE
chkd by: -	mtl.: -
date: 07SEP22	fnsh: -
rev.:	sheet no.: 3 OF 3

DWG TITLE: LAD255SH50_51_54_55 MATERIAL	DWG NUMBER: LAD255SH50_51_54_55
USED ON: FFI LIFT SLIDE SYSTEMS	PART/REF. NUMBER: -

THIS DOCUMENT AND ALL INFORMATION THEREIN IS CONFIDENTIAL AND IT IS THE SOLE PROPERTY OF FUNCTIONAL FENESTRATION, INC. AND SHALL NOT BE REPRODUCED OR DISCLOSED IN ANY FORM OR TO ANY THIRD PARTY WITHOUT PRIOR APPROVAL FROM FUNCTIONAL FENESTRATION, INC. THESE TECHNICAL DRAWINGS ARE PROVIDED SOLELY FOR INFORMATION PURPOSES. FUNCTIONAL FENESTRATION, INC. DOES NOT WARRANT THAT THESE DRAWINGS SATISFY FEDERAL, STATE OR LOCAL LAWS, REGULATIONS OR ORDINANCES WHICH MAY APPLY IN THE JURISDICTION IN WHICH THE PRODUCT SUPPLIED IS USED. CUSTOMER ACCEPTS FULL RESPONSIBILITY FOR COMPLIANCE WITH ALL LEGAL AND REGULATORY REQUIREMENTS PERTAINING TO THE INSTALLATION AND USE OF WINDOW/DOOR/SLIDING HARDWARE.