

#LAR3000010 - 304 STS VERSION
#LAR3000016 - 430 STS VERSION
LINK ROD SOLD SEPARATELY
MAX. WEIGHT 300KG (660LB) PER ASSEMBLY

ALL DIMENSIONS IN MILLIMETERS UNLESS OTHERWISE SPECIFIED.

CUSTOMER DRAWING
CONFIDENTIAL AND PROPRIETARY INFORMATION OF FUNCTIONAL FENESTRATION, INC.
THIS DOCUMENT AND ALL CONTENTS MUST BE RETURNED TO ORNAMA.
© COPYRIGHT FUNCTIONAL FENESTRATION, INC.

FUNCTIONAL FENESTRATION INC.

12612 CRENSHAW BLVD., HAWTHORNE, CA 90250
PHONE: 1.323.756.9971 - FAX: 1.323.242.3824
WEB: WWW.FENESTRATION.NET
EMAIL: TECHNICAL@FENESTRATION.NET

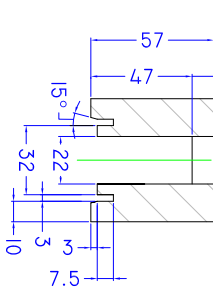
DRWN BY: JDG
CHKD BY: -
DATE: 29APR13
SCALE: NONE
M.T.L.: -
F.N.S.H.: -

DWG TITLE: LS 300V ROLLER SET
USED ON: LIFT SLIDE SYSTEMS

SHEET NO.: 1 OF 2
FIRST ANGLE PROJECT.

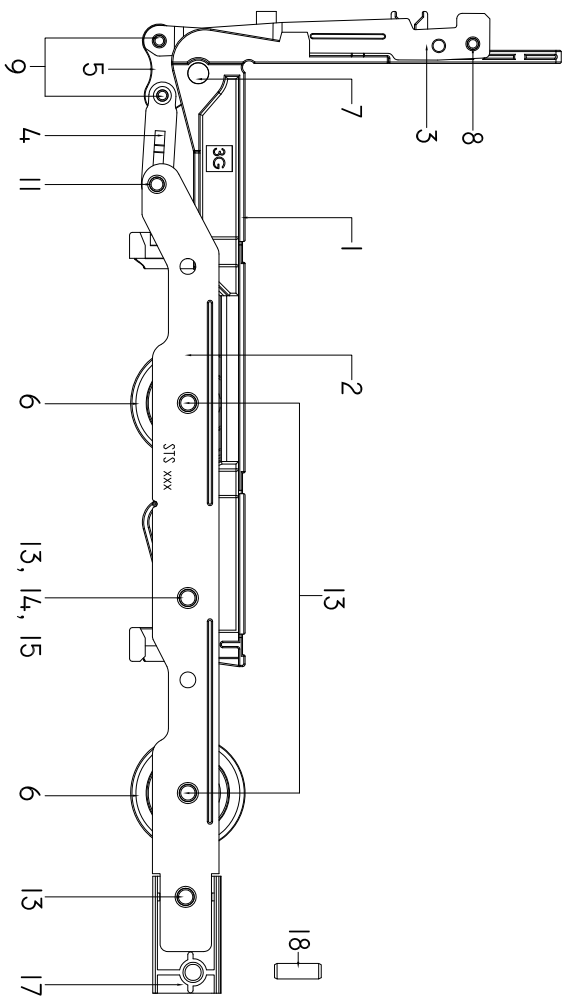
PART/REF. NUMBER: LAR3000010, LAR3000016
LAR3000010/LAR3000016

BOTTOM RAIL MILLING



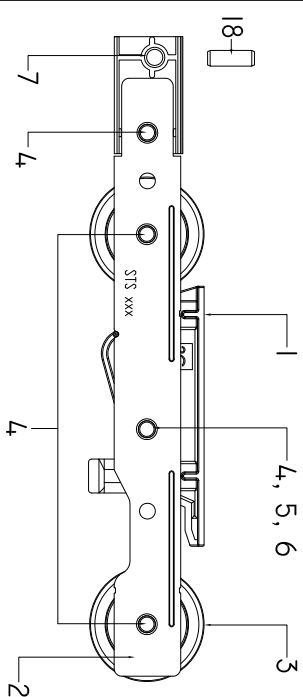
SHEET SIZE: 8.5 x 11
REV: -

THIS DOCUMENT AND ALL INFORMATION THEREIN IS CONFIDENTIAL AND IT IS THE SOLE PROPERTY OF FUNCTIONAL FENESTRATION, INC. AND SHALL NOT BE REPRODUCED OR DISCLOSED IN ANY MANNER WITHOUT THE WRITTEN PERMISSION OF FUNCTIONAL FENESTRATION, INC. THE INFORMATION CONTAINED HEREIN IS FOR YOUR INFORMATION ONLY AND DOES NOT WARRANT THAT THESE DRAWINGS OR SPECIFICATIONS WILL BE SUITABLE FOR YOUR PARTICULAR APPLICATIONS. CUSTOMER ACCEPTS FULL RESPONSIBILITY FOR COMPLIANCE WITH ALL LOCAL, STATE AND FEDERAL REGULATIONS OR ORDINANCES WHICH MAY APPLY IN THE JURISDICTION IN WHICH THE PRODUCT IS USED. CUSTOMER ACCEPTS FULL RESPONSIBILITY FOR COMPLIANCE WITH ALL LOCAL, STATE AND FEDERAL REGULATORY REQUIREMENTS PERTAINING TO THE INSTALLATION AND USE OF WINDOW/DOOR/SLIDING HARDWARE.



300V FRONT CORNER DRIVE ROLLER

No	OBJECT	MATERIAL 430 VERSION	MATERIAL 30L VERSION	QTY.	COATINGS
1	300V DRIVE BODY	ZNDCC2	ZNDCC2	1	KOFLUX SC (SILVER)
2	DRIVE BAR1 (R,L)	STS430	STS304	2	
3	DRIVE BAR2 (R,L)	STS430	STS304	2	
4	DRIVE BAR3 (R,L)	STS430	STS304	2	
5	DRIVE JOINT ASSY	STS304+POM DELINIDOP	STS304+POM DELINIDOP	1	
6	WHEEL ASS'Y	CHROME STEEL BEARINGS 440C STS BEARINGS	440C STS BEARINGS	2	
7	BODY SHAFT	STS303F	STS303F	1	
8	BAR2 SHAFT	STS303	STS303	1	
9	JOINT2 SHAFT	STS303	STS303	2	
11	BAR3 SHaft	STS303	STS303	1	
13	CONTROL SHAFT	STS303	STS303	4	
14	Control BUSHING	NYLON66	NYLON66	1	
15	BEARING BUSHING	STS303	STS303	1	
17	Connecting Joint	ZNDCC2	ZNDCC2	1	KOFLUX SC (SILVER)
18	Connecting Pin	STS304	STS304	1	



300V REAR BOGIE ROLLER

No	OBJECT	MATERIAL 430 VERSION	MATERIAL 30L VERSION	QTY.	COATINGS
1	300V Bogie Body	ZNDCC2	ZNDCC2	1	KOFLUX SC (SILVER)
2	Bogie BAR (R,L)	STS430	STS304	2	
3	WHEEL ASS'Y	CHROME STEEL BEARINGS 440C STS BEARINGS	440C STS BEARINGS	2	
4	CONTROL SHAFT	STS303	STS303	4	
5	CONTROL BUSHING	NYLON66	NYLON66	1	
6	BEARING BUSHING	STS303	STS303	1	
7	300V CONNECTING JOINT	ZNDCC2	ZNDCC2	1	KOFLUX SC (SILVER)
18	Connecting Pin	STS304	STS304	1	

ALL DIMENSIONS IN MILLIMETERS UNLESS OTHERWISE SPECIFIED.

CUSTOMER DRAWING
 CONFIDENTIAL AND PROPRIETARY INFORMATION OF FUNCTIONAL FENESTRATION, INC.
 THIS DOCUMENT AND ALL CONTENTS HEREIN ARE NOT TO BE REPRODUCED OR DISCLOSED TO OTHERS.
 © COPYRIGHT FUNCTIONAL FENESTRATION, INC.

FUNCTIONAL FENESTRATION INC.
 12612 CRENSHAW BLVD., HAWTHORNE, CA 90250
 PHONE: 1.323.756.9971 - FAX: 1.323.242.3824
 WEB: WWW.FENESTRATION.NET
 EMAIL: TECHNICAL@FENESTRATION.NET

DRWN BY: JDG
 CHKD BY: -
 DATE: 29APR13
 SCALE: NONE
 MTL.: -
 FNSH: -
 USED ON: LIFT SLIDE SYSTEMS
 PART/REF. NUMBER: LAR3000010/LAR3000016
 DWG NUMBER: LAR3000010/LAR3000016

SHEET NO.: 2 OF 2
 FIRST ANGLE PROJECT
 THIS DOCUMENT AND ALL INFORMATION THEREIN IS CONFIDENTIAL AND IT IS THE SOLE PROPERTY OF FUNCTIONAL FENESTRATION, INC. AND SHALL NOT BE REPRODUCED OR DISCLOSED IN ANY SHAPE OR FORM TO THIRD PARTIES WITHOUT PRIOR APPROVAL FROM FUNCTIONAL FENESTRATION, INC. ANY REPRODUCTION OR DISCLOSURE OF THIS DOCUMENT WITHOUT THE WRITTEN PERMISSION OF FUNCTIONAL FENESTRATION, INC. IS STRICTLY PROHIBITED. THIS DOCUMENT IS THE PROPERTY OF FUNCTIONAL FENESTRATION, INC. AND SHALL BE RETURNED TO THE COMPANY IN WHICH THE PRODUCT SUPPLIED IS USED. CUSTOMER AGREES TO HOLD FUNCTIONAL FENESTRATION, INC. HARMLESS FROM ANY AND ALL CLAIMS, DAMAGES, LOSSES AND EXPENSES, INCLUDING REASONABLE ATTORNEY'S FEES, ARISING FROM OR RESULTING FROM THE INSTALLATION AND USE OF WINDOW/DOOR/SLIDING HARDWARE. FULL RESPONSIBILITY FOR COMPLIANCE WITH ALL LEGAL AND REGULATORY REQUIREMENTS PERTAINING TO THE INSTALLATION AND USE OF WINDOW/DOOR/SLIDING HARDWARE