



FritsJurgens®

FritsJurgens Pivot Door System

SystemOne

PIVOT DOOR SYSTEMS

The FritsJurgens pivot door hinges stand out from other hinges in that all the technology is in the door. This makes the interface with the floor and the ceiling subtle and stylish.



Nothing in the floor or the ceiling



Very high bearing capacity



Maintenance-free system



Simple, fast fitting

SYSTEMONE



SYSTEM4



SYSTEM3



FRITSJURGENS SYSTEMONE

FritsJurgens SystemOne provides the required functionality for the fitting of a pivot door in a compact system. In contrast to the System3 and System4 this system does not have a closing mechanism or hold positions.



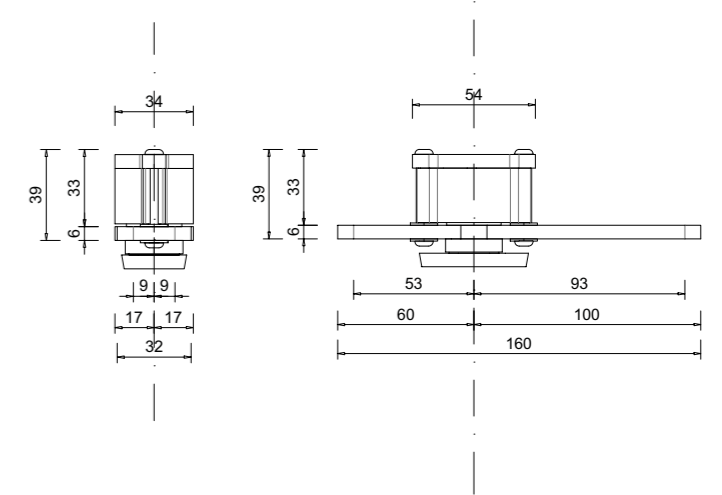
Can be used in doors upwards of 40 mm thick

Can be used with all types of FritsJurgens floor plates and top pivots.

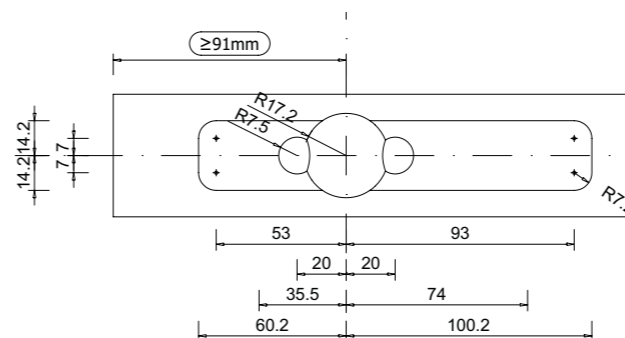
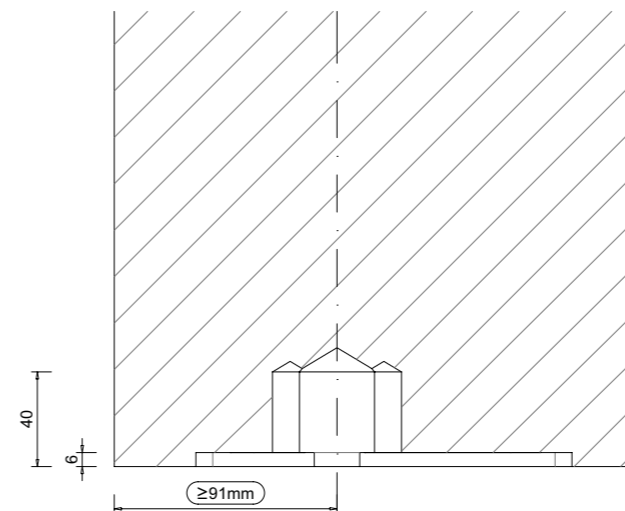
Supplied as a complete set with top pivot, floor plate and ceiling plate and fitting accessories.

DIMENSIONS

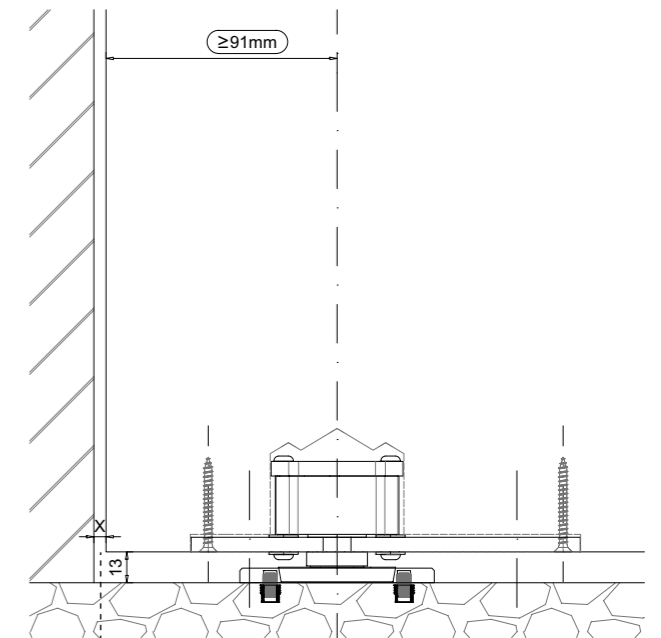
Bottom pivot for SystemOne



MILLING DRAWING



DIMENSIONS AROUND DOOR





www.fritsjurgens.com