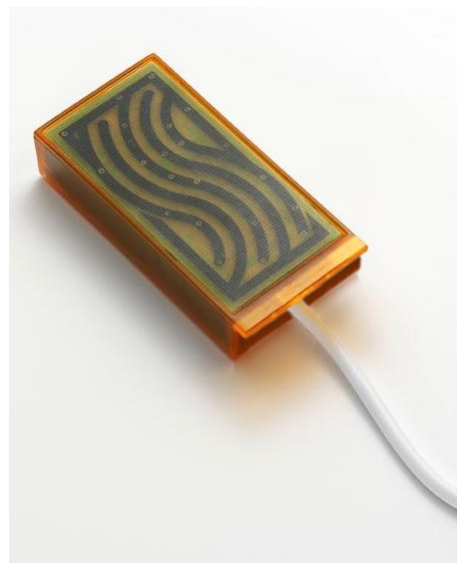
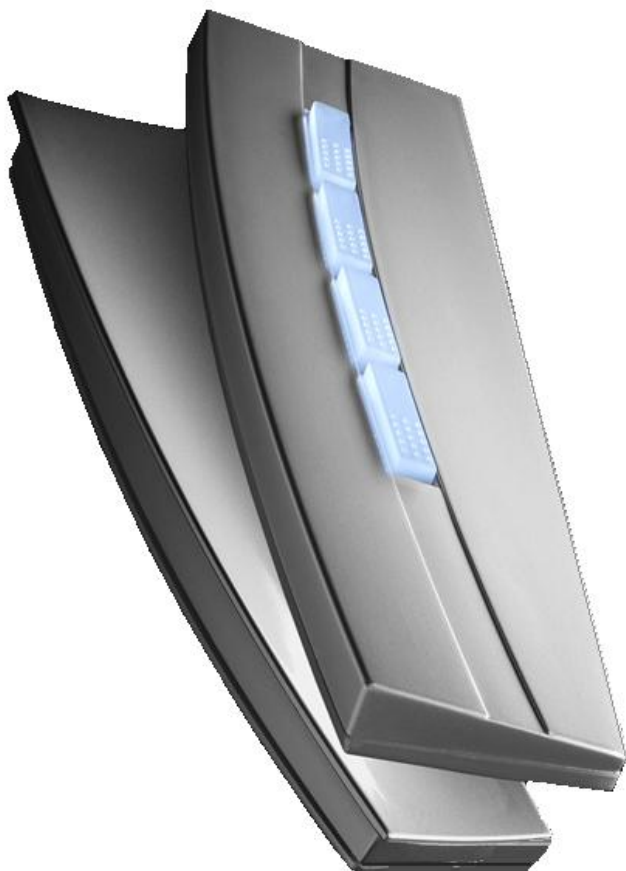


Marvel™

RF Motor Control Pack & Rain Sensor Installation Instructions



Danger

To help prevent
severe
personal injury
or death

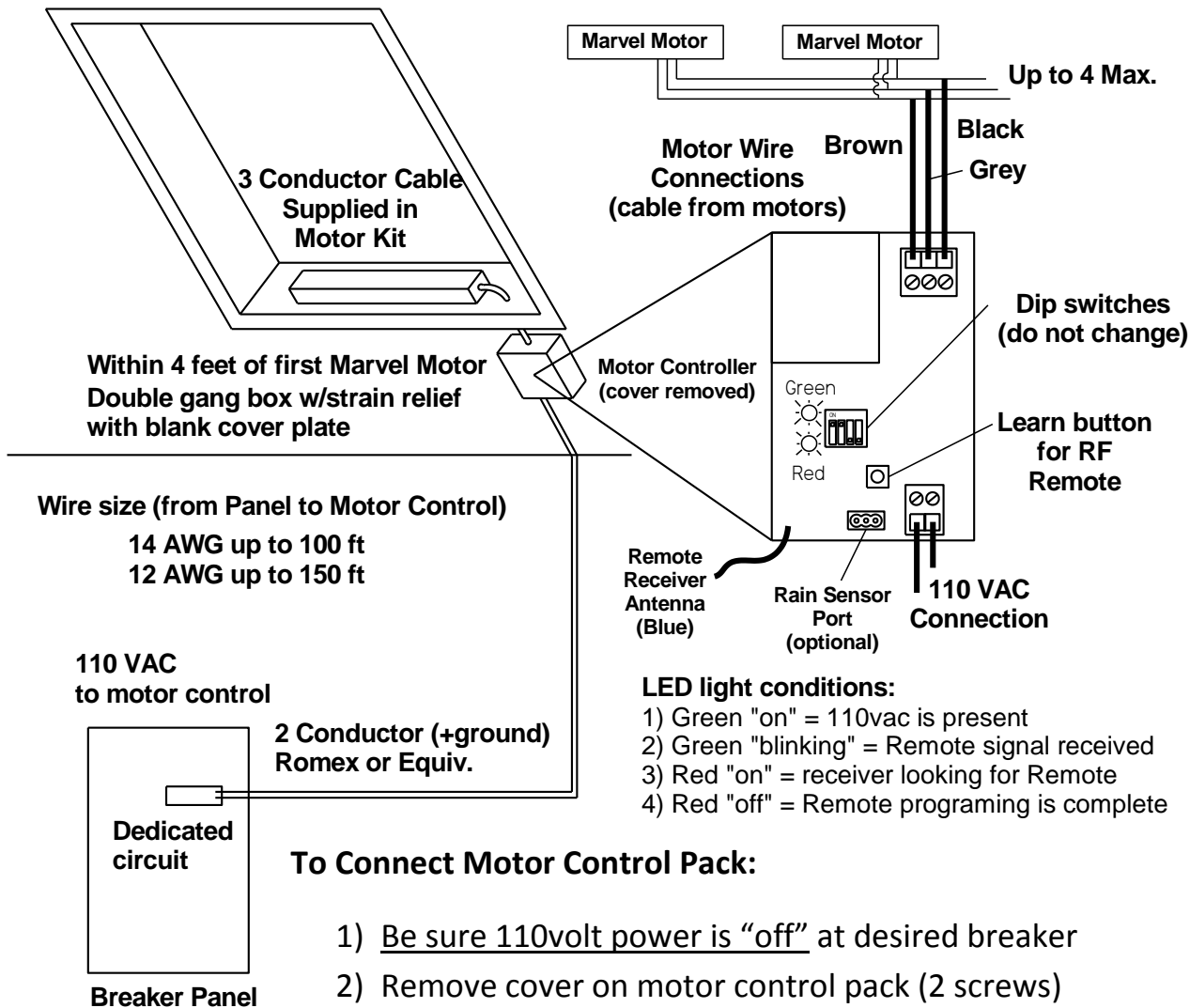
- Read and understand instructions completely before beginning installation.
- Wiring must be installed according to local and National Electrical Codes (N.E.C.)
- Disconnect main power before beginning installation! Verify that power is OFF at the main breaker or fuse panel by testing



Truth Hardware
700 West Bridge St.
Owatonna, MN 55060
www.truth.com
Form No. 90288 R2

RF Motor Control Pack Wiring Instructions

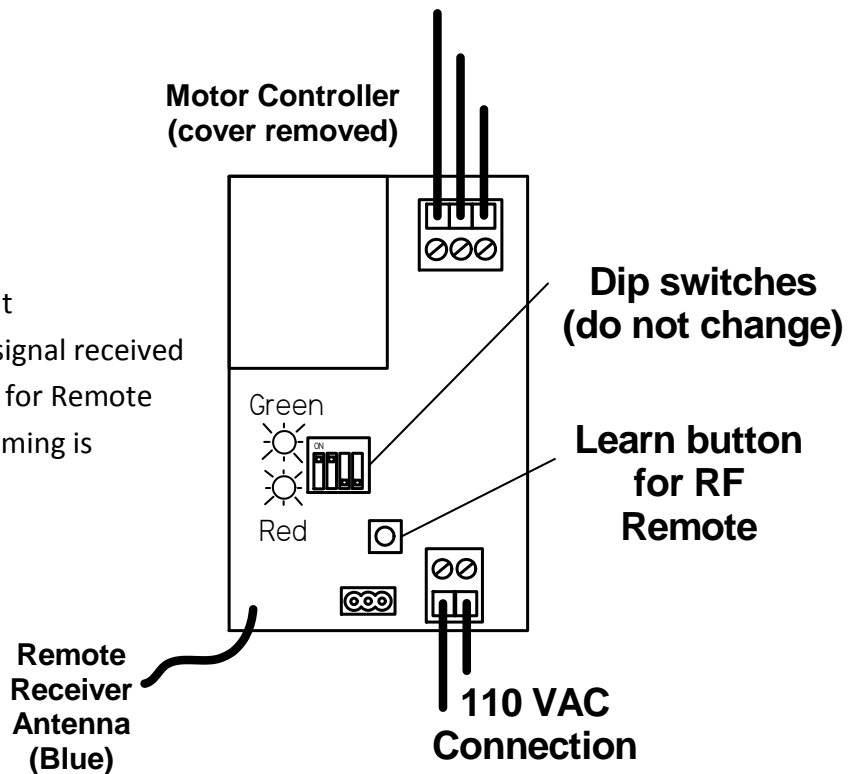
Marvel Motor Remote Control Wire Diagram



Programming of Hand Held Remote

LED Light Conditions:

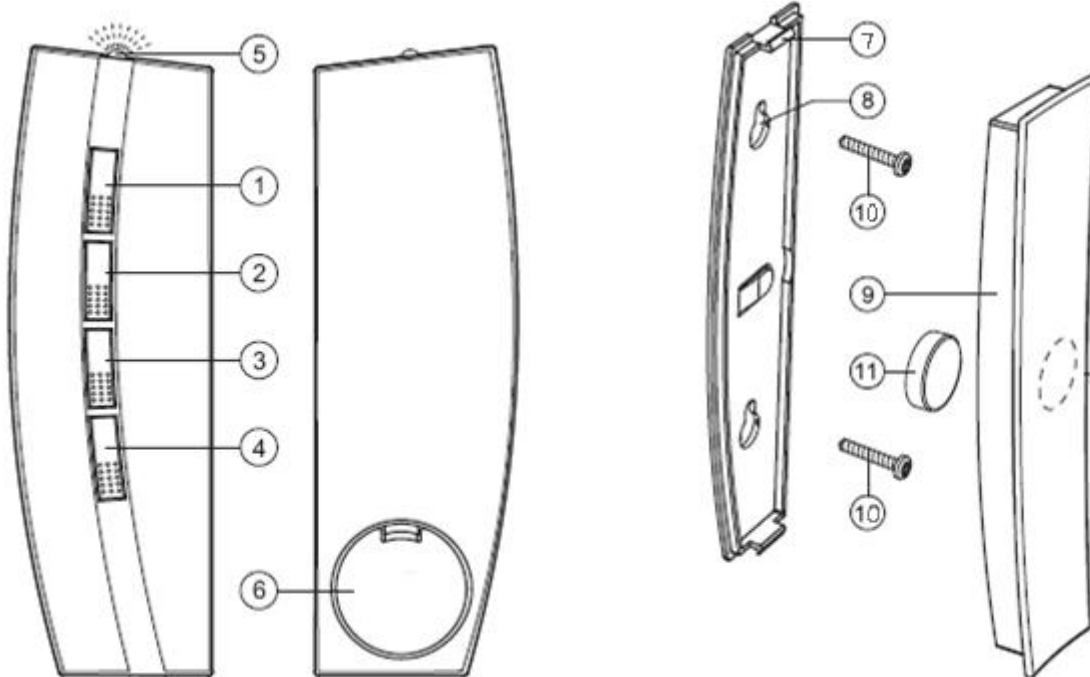
- Green Led “on” = 110vac present
- Green Led “blinking” = Remote signal received
- Red Led “on” = Receiver looking for Remote
- Red Led “off” = Remote programming is complete



To Program the Hand Held Remote:

- 1) Insert 2 - CR2032 batteries into Remote (not included)
- 2) Press and hold “Learn” button on Motor Controller
 - a. Release button once the “Red” led lights.
- 3) Press and hold the top (open) end of a selected button on the remote. (button #1 is typical)
 - a. The “Red” led will blink and go out when programming is complete.
- 4) Reinstall cover on Motor Control Pack (2 screws)
 - a. Be Careful not to pinch any wires.
- 5) Insert Motor Control Pack into double gang box and install cover plate. (Do Not Use A Metal Cover Plate)

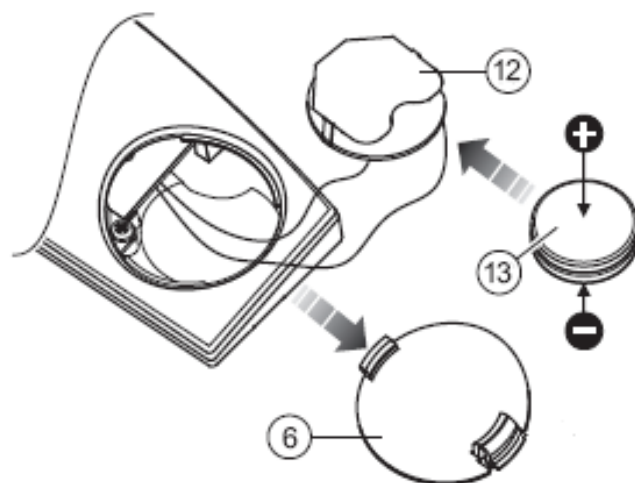
Hand Held RF Remote & Wall Mount



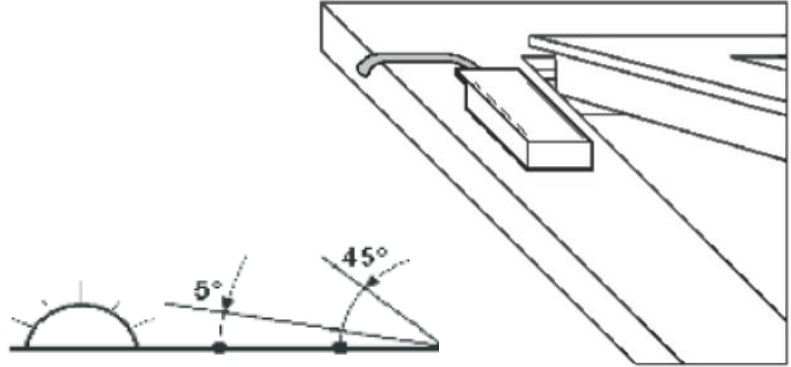
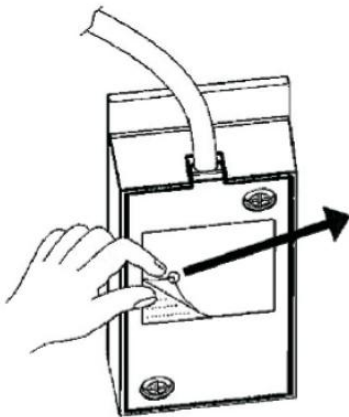
- 1) Push Button #1 (Up & Down)
- 2) Push Button #2 (Up & Down)
- 3) Push Button #3 (Up & Down)
- 4) Push Button #4 (Up & Down)
- 5) IR transmitter (not active)
- 6) Battery Door

- 7) Wall Mount (back)
- 8) Screw Hole (2)
- 9) Wall Mount (front)
- 10) Screws (2 supplied)
- 11) Magnet

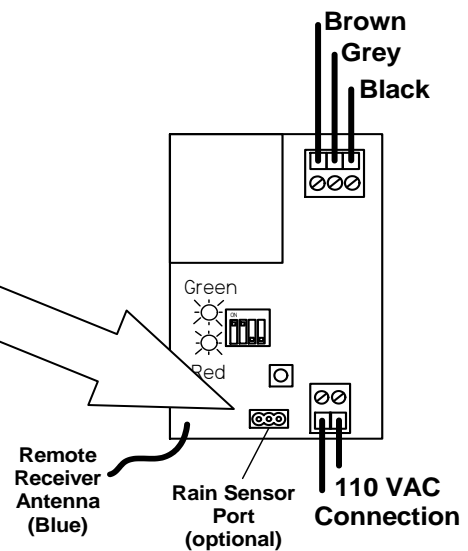
- 12) Battery Holder
- 13) Batteries, 2 - CR2032 (not included)



Installation of Rain Sensor



Cable from Sensor



To Install Rain Sensor:

- 1) Remove covering on applied adhesive tape.
- 2) Apply Rain Sensor to exterior roof surface.
 - a. The Sensor should be angled at between 5 and 45 degrees to allow water to run off.
 - b. The sensor can be applied to a separate plate (not included) for screw mounting.
- 3) Route Rain Sensor cable to Motor Control Pack location. (Double Gang Box)
- 4) Connect Rain Sensor plug (white mini plug) to three pin connector port as shown above.

Rain Sensor cable should not be cut or modified (lengthened)